



ADM-1808AP

Panel Mount 8.4-inch Resistive Touch Display

Features

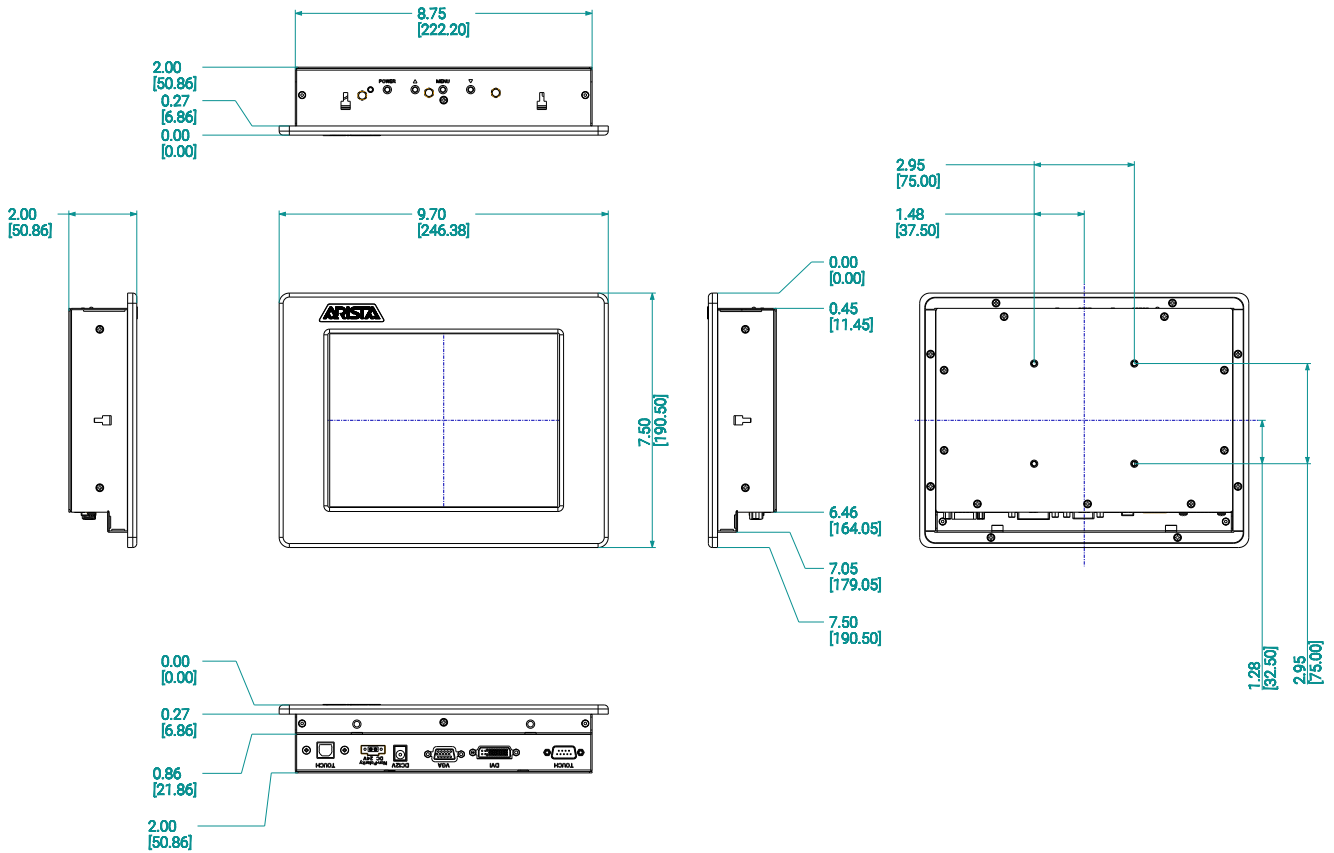
- 8.4" LCD, 800 x 600 Resolution
- 5-Wire Resistive Touch or Tempered Glass
- RS-232, USB Touch Interface
- NEMA 4/4X Front Bezel
- Black Powder Coated or Stainless-Steel Bezel
- VGA, DVI Input
- 12VDC Operating Voltage

Specifications

Model Name	ADM-1808AP
LCD Display	
Display Size (Diagonal)	8.4"
Max Resolution	800 x 600
Backlight Lifetime (Hours)	50,000 hours
Visual Characteristics	
Colors	16.2 million
Aspect Ratio	4:3
Viewing Angle (V/H)	140° / 160°
Contrast Ratio	600:1
Brightness	450 nits (1000 nits* Very High Brightness Version)
Input Interface	
VGA	Yes
DVI	Yes
HDMI	N/A
Display Port	N/A
CVBS	N/A
YPbPr	N/A
Touchscreen	
Technology	5-Wire Resistive
Interface	RS-232, USB
Driver	Win XP, Win 7, Win10
Front Bezel	
NEMA 4	Black Powder Coated
NEMA 4X	Stainless Steel (Optional)
Power/Thermal Specs.	
Power Requirement (Max)	12VDC / 0.58A
Power Consumption (Max)	7 W
Recommended Power Supply	10 W
Heat Dissipation	24 BTU/hr
Physical Information	
Mounting	Panel Mount
Net Weight	6.6 lbs / 2.9 kg
Physical Dimension (W x H x D)	9.7 x 7.5 x 2 inch 246.38 x 190.5 x 50.86 mm
Recommended Cutout Dimension (WxH)	8.95 x 6.80 inch 227.2 x 172.6 mm
Environmental	
Operating Temperature	0~50°C (32~122°F), * VHB Version 0~35°C (32~95°F)
Storage Temperature	-20~60°C (-4~140°F)
Humidity	5% to 95% (non-condensing)
Rating	Bezel Meets NEMA 4 / NEMA 4X requirements
Certification	CE, UL 508

Dimension Drawing

ADM-1808AP_300A_V4
 Model Name: ADM-1808AP
 Size Unit: inch(mm)



Ordering Information

Item	ADM-1808AP-001
LCD Display	8.4" LCD / 800 x 600
Touch Screen	5-Wire
Bezel	Black Powder Coated
Power Supply	110/220VAC Power Adaptor

Item	ADM-1808AP-005
LCD Display	8.4" LCD / 800 x 600
Touch Screen	5-Wire
Bezel	Stainless Steel
Power Supply	110/220VAC Power Adaptor